

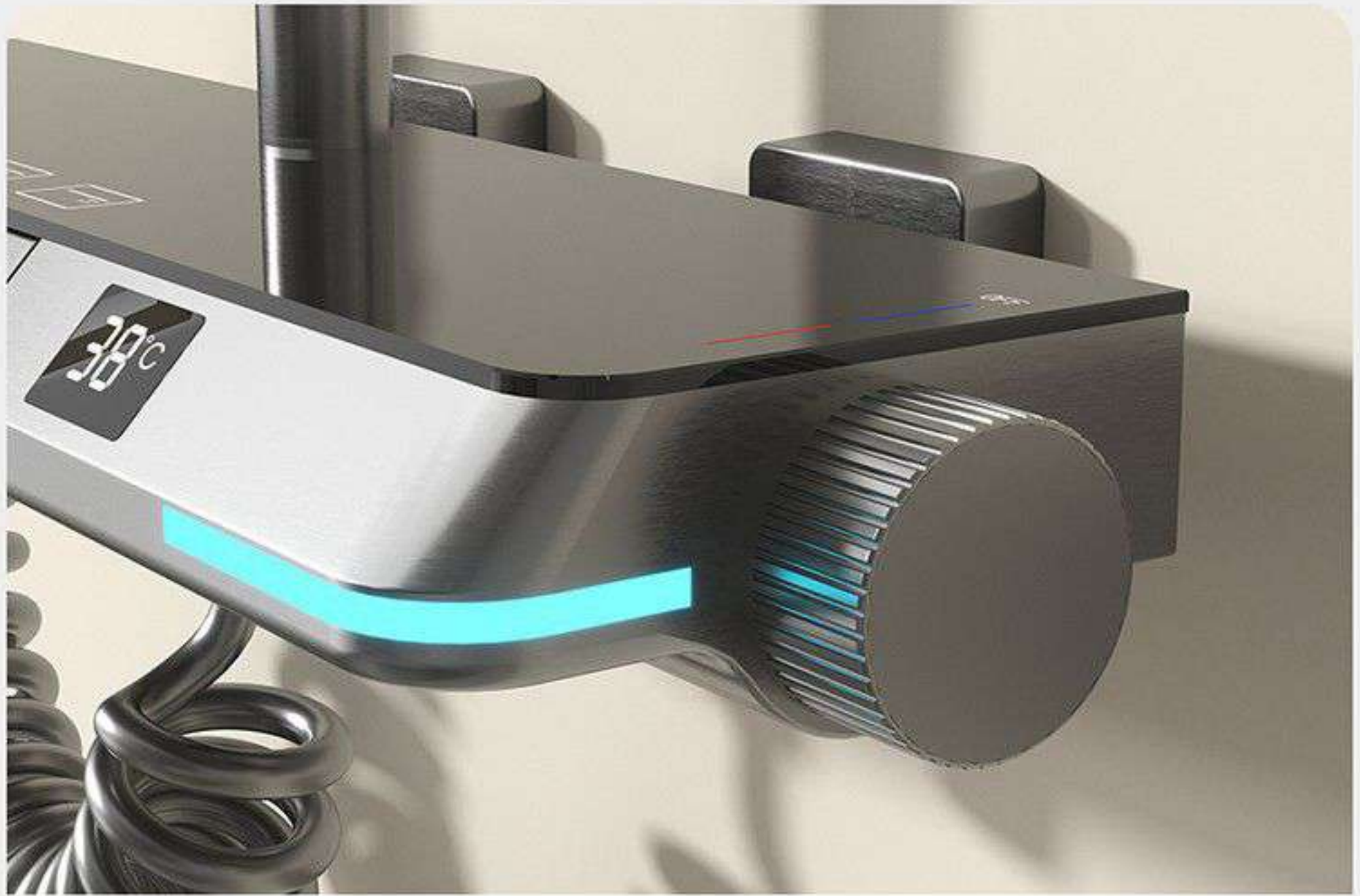


PET REFILL

PET REFILL

36°C





UPGRADE NITROGEN PERIMETER LIGHTS

Integrating car light design elements to enhance visual tension and create a sense of life for the product



WATER TEMPERATURE NUMERICAL DISPLAY

Real time display of water temperature, no need to worry about the risk of skin injury caused by excessive temperature during showering, hydroelectric power generation, ready to use



Anti-scale glass panel

Nano self-cleaning coating, lotus leaf biomimetic technology, efficient hydrophobicity, gently wiping without residue, with excellent hydrophobicity after 100000 wipes

LARGE STORAGE PLATFORM

The design of spacious storage space combines the storage platform with the body, fully utilizing the limited bathroom space. The bathroom products can be easily used and placed, making the entire shower process comfortable





1、 Rain Mode

Soft water flow
Comfortable to touch



2、 Pulse Mode

Concentrate water flow
To relieve physical fatigue



3、 Blend Mode

Easy to clean foam in the shower

59A refined copper waterway core,

real material, strong compression resistance

The waterway core is made of high-quality 59A refined copper, which is integrally formed by precision casting, with uniform wall thickness, strong compression resistance and longer service life





Product material and structure

Giant screen top spray

294 liquid silicone outlet holes

stainless steel shower rod

rotatable liftable

Three-function mist and rain

handheld 140 liquid silicone outlet holes

PVC anti-twist hose

tempered glass panel

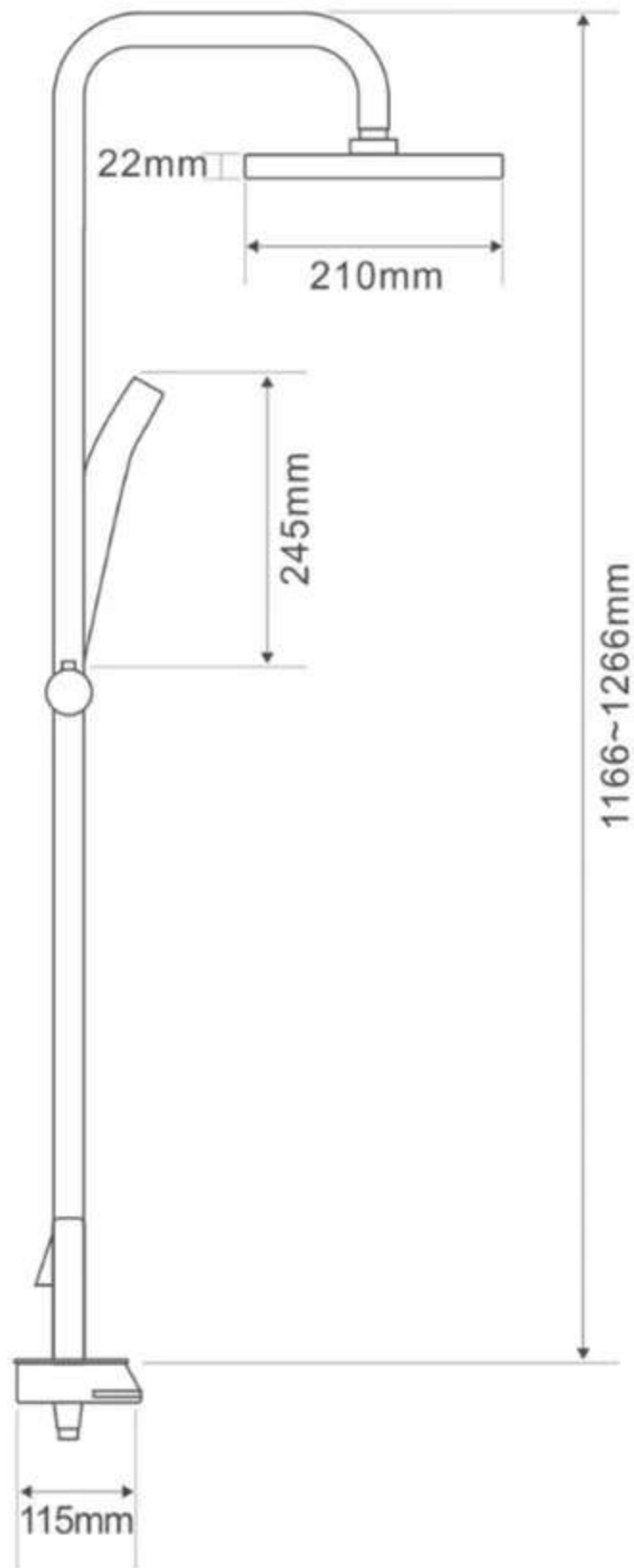
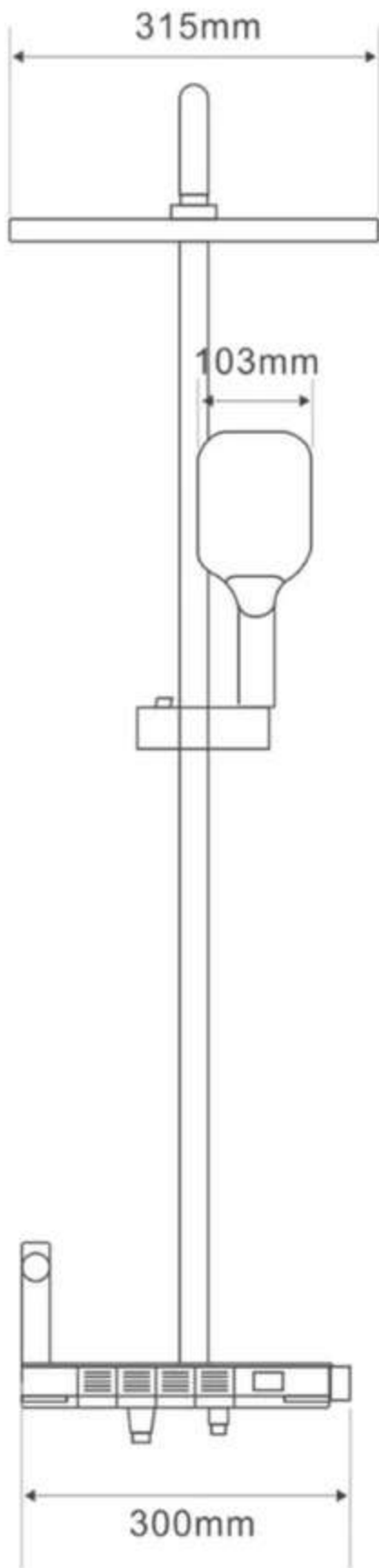
Pressurized cleaning gun

Hydro Power Mood Lighting

Concealed lower spout

Hydropower digital display





Delicate body

Powerful anti-water pressure
and anti-explosion



HIGH QUALITY
FORGED IN ONE PIECE

Piano style

Water quality design



Edible silicon

Environmentally friendly
and healthy materials

High quality

Surface processing
technology



Adjustable

Top spray



360° adjustment



Handheld

Lifting rotation



360° adjustment



FREE LIFT
ADJUST AT WILL



SMALL STATURE
BIG OBJECT TABLE

Upgrade

Two-gear pressurized spray gun



Fan-shaped scraping and pressurized flushing



Fan-shaped scraping
mode



Pressurized flushing
mode